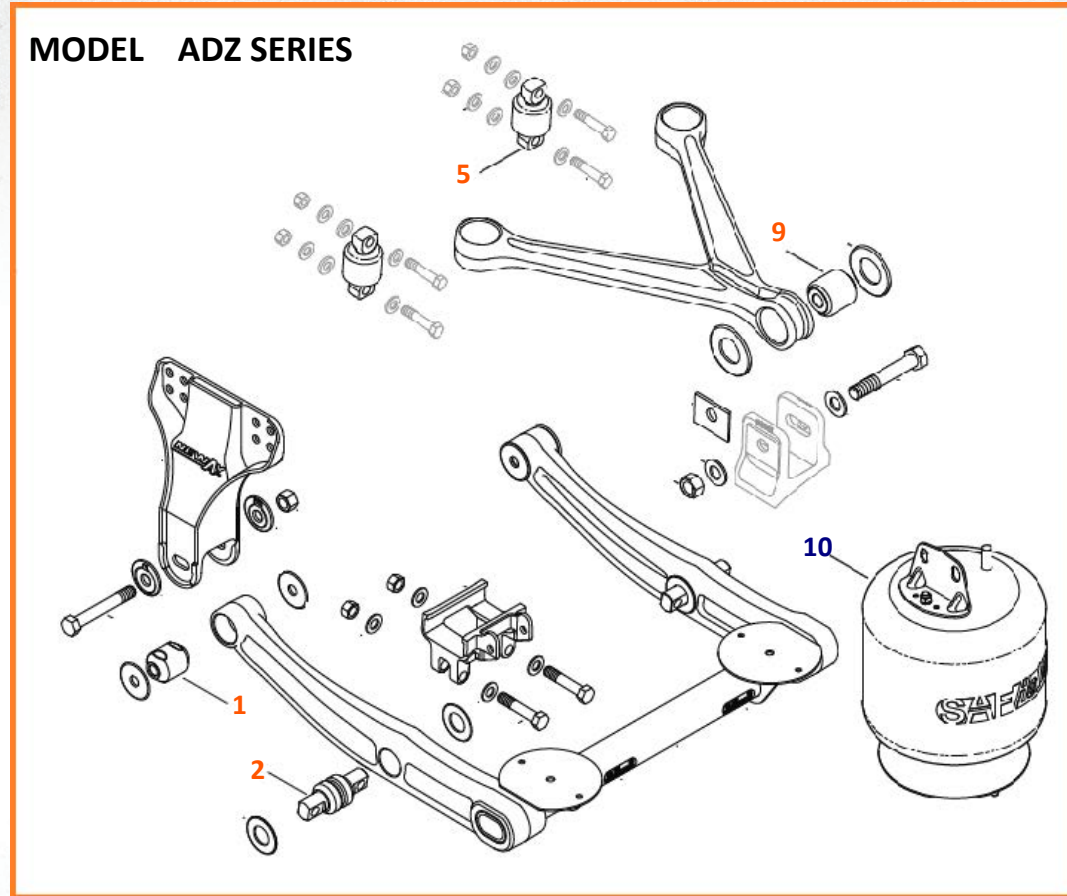


MODEL AD SERIES

1. **14514** Front Pivot Bushing suit AD-123/126/246/252/369/378.
14538 Front Pivot Bushing suit ADZ Series.
2. **14532** Axle Pin Style Bushing suit AD-123/246/369.
14536 Axle Pin Style Bushing suit ADZ Series.
3. **14527** Axle Thru Style Bushing suit AD-123/246/369.
4. **31592** Transverse Beam Bushing suit AD-123/126/246/252/369/378.
5. **11729** specially designed for Torque Rod bushes mounted vertical with "Stress Release" design suit ADZ Series. **13520** is a fixed bush like OEM. **18551** Install/Removal tool for **13520/11729**.
6. **13518** Tapered Torque Rod Bush suit AD-123/126/246/252/369/378.
7. **83520** (Easy Mount) specially designed for Torque Rod bushes mounted horizontally suit AD-Series.
13520 is a fixed bush like OEM. **18551** Install/Removal tool for **83520/13520**.



MODEL ADZ SERIES

8. Note: Due to different OEM options you may need to make your own Torque Rod.
13683 Torque Rod End fitted with **13520** (Standard) Bush.
13790 Torque Rod End fitted with **83520** (Easy Mount) Bush.
13690 Torque Rod End fitted with **13520** (Standard) Bush, length is 33-7/16".
13691 Torque Rod End fitted with **13520** (Standard) Bush, length is 25-7/16".
13789 Torque Rod End fitted with **83520** (Easy Mount) Bush, length is 25-7/16".
9. **14537** V-Rod Bolt Thru Bushing suit ADZ-Series.
10. Note: Due to different fitment by OEM, always cross reference from Neway airbag number.
1R12-552 suits AD-123/126/246/252/369/378 with 10" ride height, AD-246 with 11" ride height.
1R12-553 suits AD-123/126/246/252/369/378 with 6.75" & 8.75" ride height.
1R12-484 suits AD-246/369 with 12" ride height.
1R14-160 suits AD-252/378 with 11" ride height.
1R14-159 suits AD-130/260 with 10" ride height.