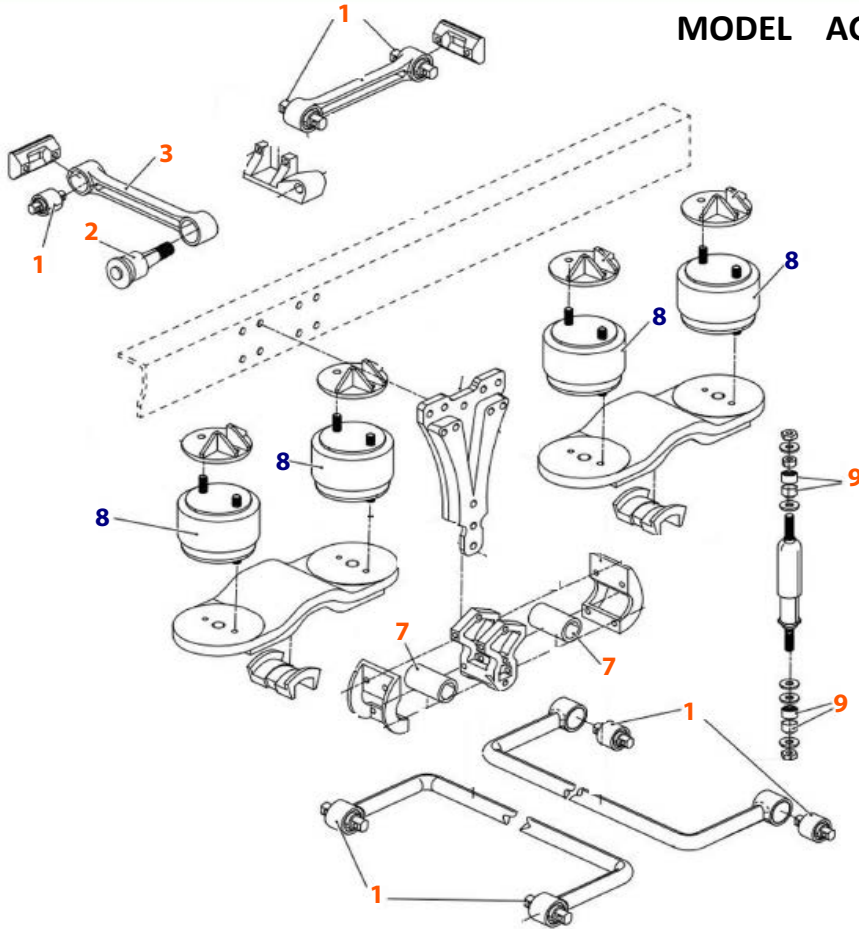
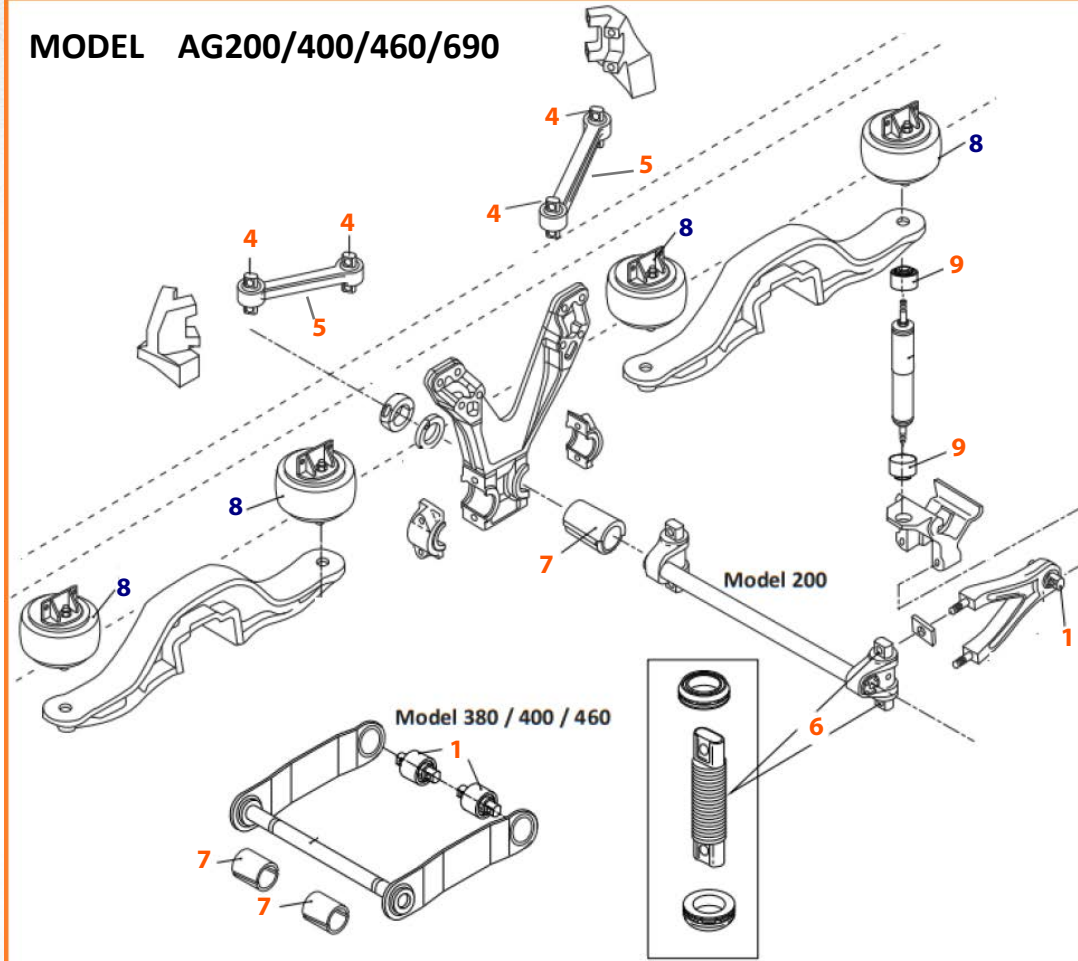


**MODEL AG100**



**MODEL AG200/400/460/690**



1. **83520** (Easy Mount) specially designed for Sway Bar & Torque Rod bushes mounted horizontally with High Articulation Up/Down Movement. **13520** is a fixed bush like OEM. **18551** Install/Removal tool for **83520/13520**.
2. **13518** tapered Torque Rod for AG100 Torque Rod.
3. **11835** Complete Torque Rod Assembly fitted with replaceable **83520** & **13518**.
4. **11729** specially designed for Torque Rod bushes mounted vertical with "Stress Release" design. **13520** is a fixed bush like OEM. **18551** Install/Removal tool for **13520/11729**.
5. **11773** Complete Torque Rod Assembly fitted with replaceable **11729**.
6. **11733** Sway Bar Pin & Bush Kit, **11766** includes **11733** with new Carrier.



7. **11502** suit AG100 standard sway bar, **11719** for oversized bush with tabs. **11720** suits AG200 with 54mm sway bar. **11743** suits AG200/400/460/690 with 58mm sway bar.
8. **1R11-028** suit AG100 (old bracket). **1R11-242** suit AG100 (new bracket). **1R11-219** suit AG200 9" ride height (3/4" fitting). **1R11-220** suit AG200 10" ride height (3/4" fitting). **1R11-221** suit AG200 9" & 10" ride height (1-5/16" fitting). **1R11-268** suit AG400/460/690 9" & 10.5" ride height.
9. **11550** suits all Airglide suspension shock absorber.